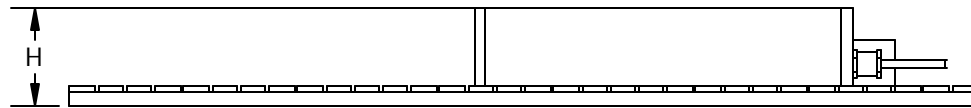
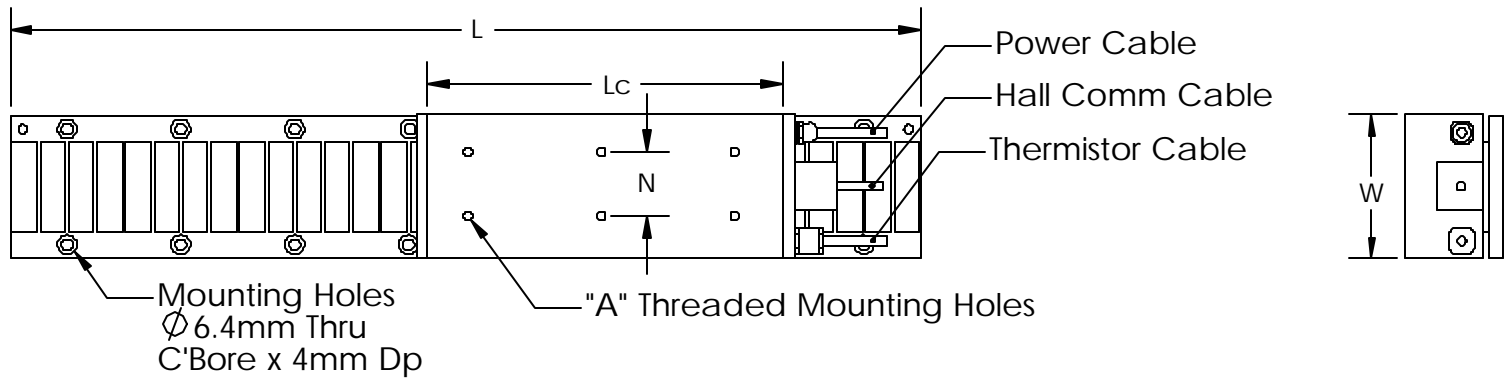
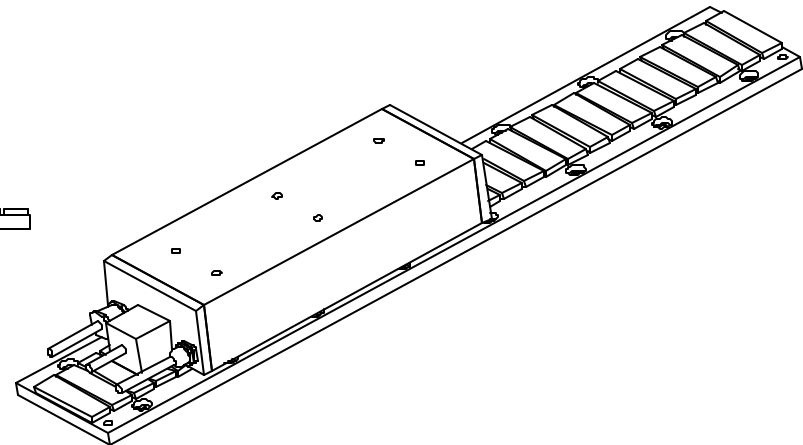


These drawings and specifications are the property of H2W Technologies, Inc. They are issued in confidence and shall not be reproduced, copied, or used without written permission from H2W Technologies, Inc.



Air Gap: 0.03 [.8mm] Typ



**H2W Technologies, Inc.**

28310-C Ave Crocker Valencia, CA 91355 USA  
Tel: (661)-702-9346 Fax: (661)-702-9348  
www.h2wtech.com

**High Force Brushless  
Linear Motor**

UNLESS SPECIFIED OTHERWISE:  
All dimensions are in inches  
Standard Tolerances are as follows  
XXX .005 ANGLES ±1°  
XX .010 FILLETS AND  
X .020 CORNERS .010  
Remove All Burrs and Sharp Edges

MATERIAL

FINISH

DRAWN  
OOG

DATE  
12-10-01

APPROVED  
FGW

DATE  
12-10-01

DWG #

REV

ECN